



Profit from the Eagle Advantage®

Specification Sheet

Short Form Specifications

Dispenses any product on tube stock greater than 1" I.D. Consists of four posts grooved on 1" centers for adjustability, two 14" x 48" wire shelves, eight tube dispensers, one 3-sided channel frame, and two 30"-deep outrigger bases for stability. Stainless or chrome-plated finish.



roll bag dispenser

Options / Accessories

- Outrigger base extension

Item No.: _____
Project No.: _____
S.I.S. No.: _____

Roll Bag Dispensers

MODELS:

- BD1448C**
- BD1448S**
- C30-PBB**
- S30-PBB**

Design and Construction Features

- Two 14" x 48" (356 x 1219mm) wire shelves.
- Eight removable dispenser bars, adjustable on 1" (25mm) increments.
- Four 74" (1880mm) posts with 30" (762mm) outrigger feet for stability.
- One 3-sided channel frame.
- Available in stainless steel or chrome finish.
- Custom sizes and configurations available.

Applications

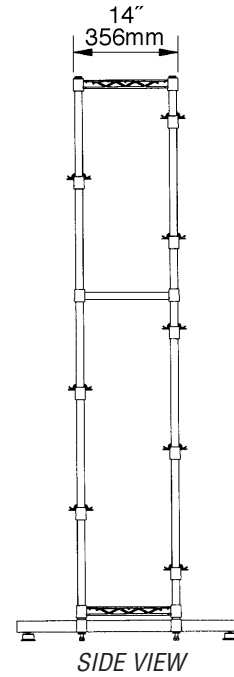
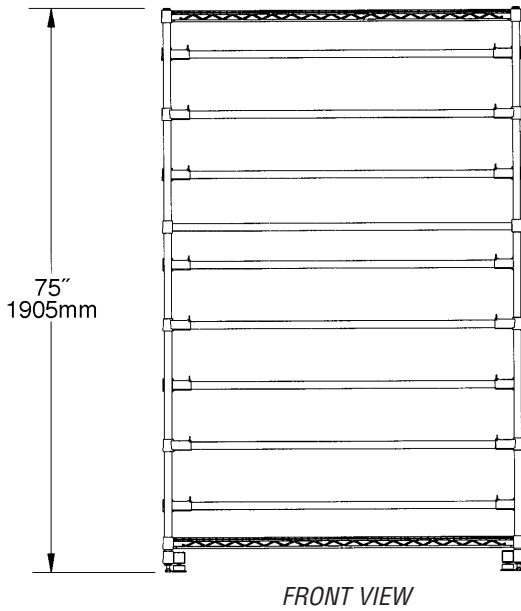
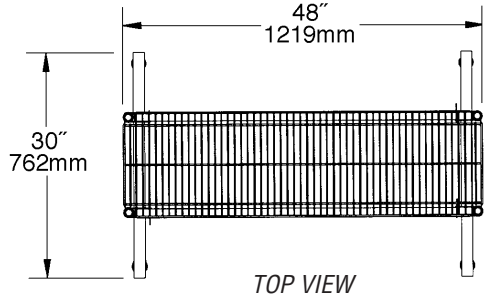
- An effective means of dispensing products on rolls or spools.
- An easy way to establish protocol by color of cleanroom waste, avoiding inadvertent mixing of non-compatible items.
- Allows significant inventory to be stored at the point of use.

Distributed By: Custom Equipment Company
866-333-0728
Sales: sales@custommhs.com
General Info: info@custommhs.com
www.custommhs.com



Item No.: _____
 Project No.: _____
 S.I.S. No.: _____

Roll Bag Dispensers



CHROME model #	STAINLESS model #	width*		length		weight	
		in.	mm	in.	mm	lbs.	kg
BD1448C	BD1448S	14"	356	48"	1219	79	35.8

* 30" (762mm)-wide units available for mobile application. Call factory for more information.

Outrigger Base Extension for Roll Bag Dispenser

CHROME model #	STAINLESS model #	front-to-back		weight	
		in.	mm	lbs.	kg
C30-PBB	S30-PBB	30"	762	4	1.8

Distributed By: Custom Equipment Company
866-333-0728
Sales: sales@custommhs.com
General Info: info@custommhs.com
www.custommhs.com