

Pallet Positioner AL30 Series

Installation, Operation and Owner's Service Manual

Model Number _____

Serial # _____

Date placed in service _____



**IMPORTANT: READ CAREFULLY
BEFORE INSTALLING OR OPERATING LIFT**

Part orders are subject to a \$50 net minimum charge.

TABLE OF CONTENTS

INTRODUCTION	4
RESPONSIBILITY OF OWNERS AND USERS	5
SAFETY ALERT SYMBOLS AND SIGNAL WORDS	6
SAFETY	7
INSTALLATION INSTRUCTIONS	8
Inspection	8
Preparation.....	8
Installation.....	8
Testing lift with no load	8
OPERATING INSTRUCTIONS	9
Method of Operation	9
Operating Procedures	9
MAINTENANCE	11
Hazards.....	11
Maintenance Device Installation & Removal.....	11
Routine Inspection and Maintenance	12
Troubleshooting.....	12
Removal & Installation of Air Actuator	12
Removal & Installation of Turn Table Bearings.....	13
Removal & Installation of Roller Assembly	13
Removal & Installation of Foot Control.....	13
Removal & Installation of Pressure Relief Valve.....	14
OPTIONS	14
Spring Positioner	14
Portability Package.....	14
ORDERING REPLACEMENT PARTS	22
RESTOCKING POLICY	23
RETURN MATERIALS AUTHORIZATION (RMA) PROCEDURES	24
WARRANTY	25

LIST OF FIGURES & DIAGRAMS

Fig. 1 Loading Manually	9
Fig. 2 Unloading Manually.....	9
Fig. 3 Loading with a forklift	10
Fig. 4 Unloading with a forklift.....	10
Fig. 5 Pinch Points.....	11
Diag. 1 Pneumatic Schematic.....	15
Diag. 2 Welding Detail	15
Diag. 3 Roller Assembly.....	16
Diag. 4 Maintenance Device	16
Diag. 5 Parts Identification	17
Diag. 6 Detail "A" Pneumatic Schematic	17
Diag. 7 Parts Identification	18
Diag. 8 Label and Nameplate Locations	19
Diag. 9 Carrier Handle Assembly (optional).....	20
Diag. 10 Portable Base Assembly (optional).....	20
Diag. 11 Spring Positioner (optional).....	21

INTRODUCTION

Presto Lifts Model AL30 allows positioning of the lift for the operator to either load or unload it at the ideal ergonomic work height. The pallet positioner is engineered to meet or exceed ANSI MH29.1 standard. The pallet positioner is designed for pneumatic operation requiring clean, dry air supply of 80 PSI at 15 CFM free air and may be used in a wide variety of industrial settings.

This manual contains instructions on the safe and proper installation, use and maintenance of the pallet positioner. Be sure this manual is available, read and understood by the personnel who will install, service, and operate the unit. The instructions in this manual cover most typical industrial applications. Where unique situations arise, not covered by this manual, contact Presto Lifts for additional instructions. Additional manuals are available upon request.

Presto Lifts' product warranty is shown on the rear cover of this manual. This owners manual is **not intended to be or create any implied warranty of merchantability or fitness for a particular purpose, all of which are hereby expressly excluded.** As set forth more specifically in the product warranty, Presto Lifts' obligation under that warranty is **limited** to the repair or replacement of defective components, which shall be the buyer's **sole remedy**, and Presto Lifts' shall not be liable for any loss, injury, or damage to persons or property, nor for any direct, indirect, or consequential damage of any kind resulting from the pallet positioner.

Distributed by:
Custom Equipment Company
866-333-0728
sales@custommhs.com
www.custommhs.com

Responsibility of Owners and Users

Inspection and Maintenance

The device shall be inspected and maintained in proper working order in accordance with Presto's owner's manual.

Removal from Service

Any device not in safe operating condition such as, but not limited to, excessive leakage, missing rollers, pins, or fasteners, any bent or cracked structural members, cut or frayed electric, hydraulic, or pneumatic lines, damaged or malfunctioning controls or safety devices, etc. shall be removed from service until it is repaired to the original manufacturer's standards.

Repairs

All repairs shall be made by qualified personnel in conformance with Presto's instructions.

Operators

Only trained personnel and authorized personnel shall be permitted to operate PowerStak.

Before Operation

Before using the device, the operator shall have:

- Read and/or had explained, and understood, the manufacturer's operating instructions and safety rules.
- Inspected the device for proper operation and condition. Any suspect item shall be carefully examined and a determination made by a qualified person as to whether it constitutes a hazard. All items not in conformance with Presto's specification shall be corrected before further use of the PowerStak.

During Operation

The device shall only be used in accordance with this owner's manual.

- Do not overload.
- Ensure that all safety devices are operational and in place.

Modifications or Alterations

Modifications or alterations to any Presto industrial positioning equipment shall be made only with written permission from Presto.

SAFETY ALERT SYMBOLS AND SIGNAL WORDS

The safety of all persons operating, maintaining, repairing, or in the vicinity of this equipment is of paramount concern. This is a powerful machine with moving parts, and is capable of causing personal injury if proper precautions are not taken. Therefore, throughout this manual, certain hazards have been identified which may occur in the use of the machine, and there are appropriate instructions or precautions which should be taken to avoid these hazards. In some cases, there are consequences which may occur if instructions or precautions are not followed. Below are the symbols and signal words along with their definitions referenced from ANSI Z535.4 - Product Safety Signs and Labels.

Safety Alert Symbols

These are the safety alert symbols.. They are used to alert you to potential physical injury hazards. Obey all safety messages that follow this symbol to avoid possible injury or death.



For use with DANGER signal word
(Red Background)



For use with WARNING signal word
(Orange Background)



For use with CAUTION signal word
(Yellow Background)

Signal Words

The meaning of different signal words as defined by ANSI Standard Z535.4 indicates the relative seriousness of the hazardous situation.



(Red Background)

DANGER indicates a hazardous situation which, if not avoided, will result in death or serious injury.



(Orange Background)

WARNING indicates a hazardous situation which, if not avoided, could result in death or serious injury.



(Yellow Background)

CAUTION, used with the safety alert symbol, indicates a hazardous situation which, if not avoided, could result in minor or moderate injury.



(Blue Background)

NOTICE is used to address practices not related to personal injury.



(Green Background)

SAFETY INSTRUCTIONS (or equivalent) signs indicate safety-related instructions or procedures.

SAFETY

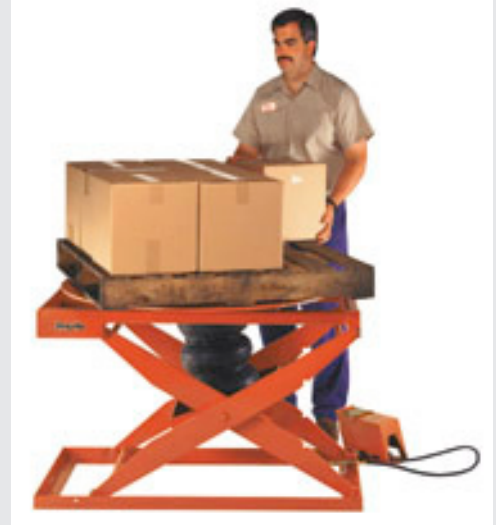
The safety of all persons installing, using, servicing, or working near the unit is of paramount concern to Presto Lifts. The pallet positioner unit is a powerful machine with moving parts, and is **capable of causing personal injury if proper precautions are not taken**. Therefore, throughout this manual, Presto Lifts has identified certain hazards, which may occur in the use of the unit, and provided appropriate **instructions** or precautions that should be taken to avoid these hazards. In some cases, Presto Lifts' has also pointed out the **consequences** that may occur if Presto Lifts' instructions or precautions are not followed. Presto Lifts uses the following nationally recognized system for identifying the severity of the hazards associated with its products:

⚠ DANGER – Immediate hazard that will result in severe personal injury or death.

⚠ WARNING – Hazard or unsafe practice, that could result in severe personal injury or death.

⚠ CAUTION – Hazard or unsafe practice, that could result in minor personal injury or property damage.

In the interest of safety, please read the entire manual carefully. You must understand the material in this manual before you install, use, or service the pallet positioner unit. If you have any question about any of the instructions in this manual, please contact Presto Lifts Inc. at 1-800-343-9322.



INSTALLATION INSTRUCTIONS

INSPECTION

Upon receipt of the pallet positioner AL-30 remove the shipping material and inspect the unit completely to determine if there is any shipment damage and the lift is complete. Rotate the turntable to be sure the table rotates freely without binding and inspect for loose bearings. Do not use the lift if there appears to be any damage. Verify that the maintenance device is provided (See Diagram 4)

PREPARATION

1. Before you start to use the unit check for local codes and ordinance, which may apply.
2. Read all of the installation instructions carefully. Be sure to read and understand all of the precautionary information.
3. The unit should be used indoors and be protected from liquids and harsh environments.
4. To remove the unit from the skid, you will need a crane, hoist or lift truck. Raise the unit by the base only. Lift the unit until it clears the skid. Slide the skid from under the unit. Lower unit to the floor.
5. Check the lift's nameplate for load capacity rating, serial number and model identifications. Write on the front of this manual all the data and the date of installation. Please refer to this data when ordering parts or requesting further information. (See Diagram 8)

CAUTION

Do not operate the lift until the installation procedures are completed. Do not lift the unit by the turntable, use a sling, or place forks under the base to move the unit.

INSTALLATION

1. Make sure the floor in the installation/operating area is flat, stable and free from surface defects.

CAUTION

When moving the lift never attempt to pick it up by the turntable. The lift should be picked up by the base only.

2. The pallet positioner must have the base in full contact with the floor. In order to provide full contact with the floor the base may be shimmed or grouted.

3. Lift must be securely anchored to the floor using 4 1/2" anchor bolts. Each bolt must be capable of withstanding 1000 lbs. of upward force.

4. Pallet positioners are designed for normal factory environments.

CAUTION

Qualified and authorized installation personnel should perform all pneumatic connections.

5. The lift requires a minimum of 80 PSI; at 15 CFM free air clean and dry air for optimum performance. (See Diagram 1)

6. Be certain the supply line is turned off and residual air is purged. Connect the supply line to the "In" port of the foot control.

CAUTION

It is recommended that a lockout tagout valve assembly with a purge port be added to the installation for maintenance and servicing of the unit.

7. Open the air supply slowly and check for leaks. Repair as needed following the instructions on page 8.

WARNING

The lift is equipped with a pressure relief valve. The valve is factory preset at the safe operation limits of the air actuator. Tampering or replacing with components not supplied by Presto Lifts will void warranty and could result in serious bodily injury.

TESTING THE LIFT WITH NO LOAD

1. Clear the area of any loose material before testing the lift. Be sure the lift has no obstructions above it or on any side. Using the foot control provided, briefly operate the lift (5-10 seconds). If the lift begins to rise and functions properly, continue to the full upright position.

CAUTION

If the lift does not rise immediately, refer to the trouble shooting section of this manual (See page 9) and correct the abnormal condition before continuing.

2. After raising the lift completely, lower the lift completely. It should lower slowly and smoothly. If satisfied with the lift's operation, raise and lower the lift and stop at different levels in order to familiarize yourself with the lift's operating characteristics.

OPERATING INSTRUCTIONS

METHOD OF OPERATION

The pallet positioner model AL30 lifts are equipped with a pressure relief valve factory preset to the maximum safe capacity of your lift.

The foot valve, controls the flow of air into and out of the air stroke actuator. As the actuator is pressurized, the scissor legs are forced apart causing the tabletop to rise. Releasing the pressure causes the table top to lower.

CAUTION

Do not maintain the control valve in the operating position if the lift does not move or it has reached its up limits. Damage to the pneumatic system may result.

OPERATING PROCEDURES

Loading Manually

Add boxes or parts until the pallet is full. Always add loads in layers, rotating the pallet to work from the nearside. The unit will gradually lower the pallet until it reaches the bottom. See Figure 1.

Removing Loads Manually

Remove boxes or parts until the pallet is empty. Always remove loads in layers, rotating the pallet to work from the nearside. The unit will gradually raise the pallet. See Figure 2.

Operating Safety -- Manual Use

1. Do not use this unit with a load greater than the rated load. This includes the weight of the payload and

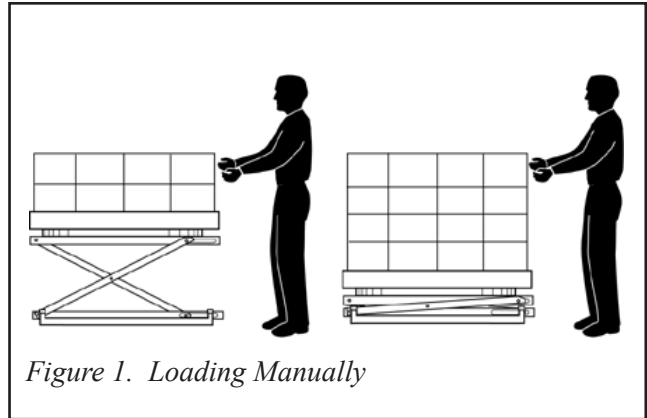


Figure 1. Loading Manually

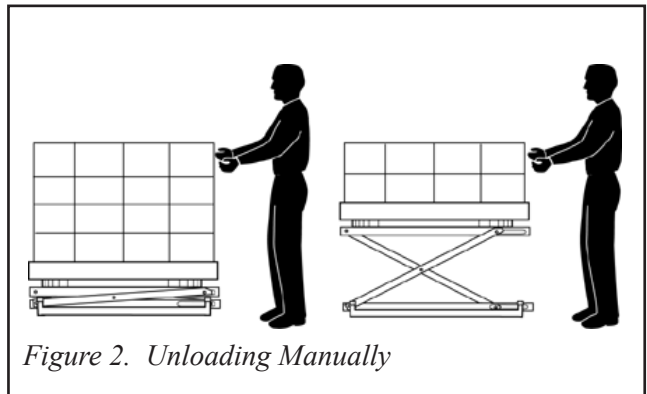


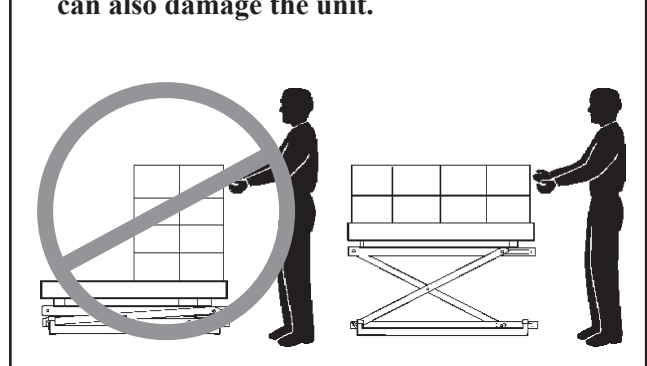
Figure 2. Unloading Manually

the weight of the pallet. If you overload the unit, it may be damaged.

2. Never push the load off of the side of the unit. If you do this, the frame of the unit may jump upward.
3. Never use the unit when anyone is sitting or riding on the turntable.

WARNING!

Ensure that loading and unloading of the AL30 is done in even layers. Loading or unloading a load on one side may cause the load to tip over and you may be injured. This can also damage the unit.



- Do not try to use this unit with damaged or broken pallets. Broken pallets may have boards or nails which hang down below the main part of the pallet. As the pallet is turned, these boards or nails may catch on the frame. The pallet may stop turning suddenly and this can cause the load to shift. You may be injured and the unit may be damaged. If the boards or nails on the bottom of the pallet extend down more than $\frac{1}{8}$ inch, they will interfere with the turning action.
- Stay clear of the turntable when it is moving. As the pallet turns, a part of the load may rotate around and hit you.
- Keep the area around the unit clean. Do not allow any dirt, debris, spilled oil, or excess grease to collect. These materials may cause you to slip while the unit is operating and you may be injured.

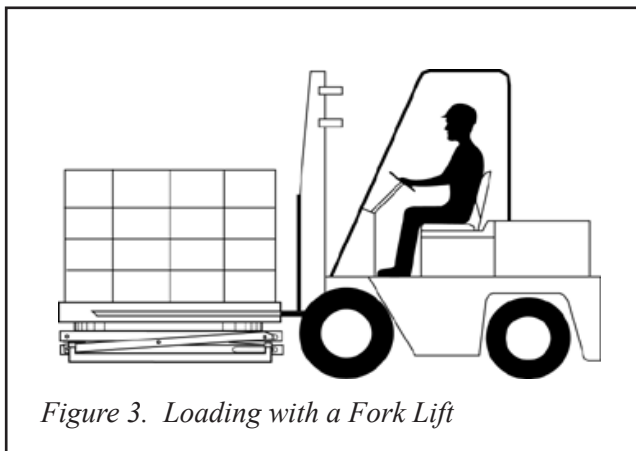


Figure 3. Loading with a Fork Lift

Loading with a Fork Lift

- Place the load on the lift, then lower the fork lift. Before removing the load, be sure the unit is carrying the weight, not the fork lift. See Figure 3.

- Be sure the forks on the lift are clear of the inside of the pallet.



If you skip these steps, the load may drop suddenly when you remove the fork lift. You may be hurt or the unit or load may be damaged.



Never drop the load on the turntable. If you do this while the turntable is moving, the load may shift. You may be injured or the unit may be damaged. If you drop the load while the turntable is stopped, the unit may be damaged.

- Be sure the load is centered on the unit.



If the load is off-center, it may shift when the turntable is turned. You may be hurt or the unit or load may be damaged.

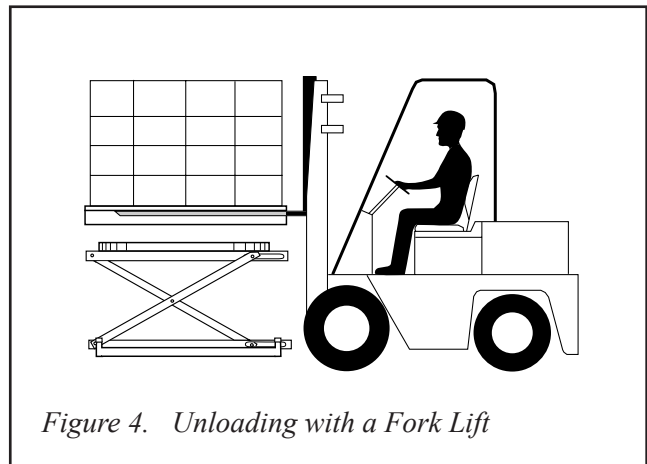


Figure 4. Unloading with a Fork Lift

Unloading with a Fork Lift

- Insert the forks into the pallet, and lift the pallet clear of the top of the unit. See Figure 4.

- Be sure the pallet clears the top of the turntable before you move the fork lift.



If you skip these steps, the unit may jump up suddenly when you remove the pallet. You may be hurt or the unit or load may be damaged.

MAINTENANCE

Before servicing, read and understand all of this section and operating instructions. Qualified personnel should do all servicing. Qualified personnel should be able to read and understand pneumatic circuits and schematics.

They should also be able to troubleshoot pneumatic circuits safely in accordance with industry-accepted practice. If in doubt as to the instructions or unusual circumstances contact Presto Lifts for further information.

HAZARDS

There are several hazards you should be aware of as you service the unit.

⚠ DANGER

The pneumatic unit when fully pressurized can cause serious injury if the air is suddenly released under pressure. Be sure to shut off air supply. Purge all the air from the unit and disconnect supply line prior to servicing pneumatic power supply and lines.

⚠ WARNING

Before servicing the unit install the maintenance device per instructions. “ Maintenance Device Installation” on page 8. Never go under or service the lift with a load on it. If possible service the unit in a down position. If the pneumatic system requires repairs, shut off, and lockout tagout lift.

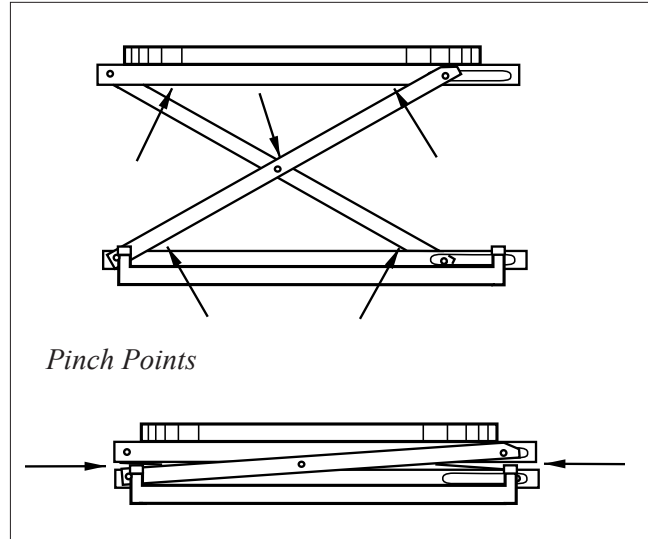
If no lockout tagout system is available, shut off air supply, purge the lift system of any pressure and disconnect the supply line before beginning repair. The model AL 30 series lifts can be maintained and serviced in a raised position. Maintenance devices are provided for safely blocking the lift in a raised position.

MAINTENANCE DEVICE INSTALLATION & REMOVAL

(Refer to Diagram 4)

⚠ WARNING

Only authorized personnel should perform inspection or maintenance and service procedures. Unauthorized personnel attempting these procedures do so at the risk of severe injury or death.



⚠ DANGER

Failure to properly adhere to lift blocking procedures is to risk the sudden and uncontrolled descent of the lift during maintenance or inspection. A falling lift can cause injury or death.

This procedure describes the only factory-approved method of working under a lift. Follow these instructions EVERY time you plan to reach or crawl beneath the lift to perform service or maintenance- no matter how momentary that might be.

If the factory-provided maintenance device is damaged or missing, stop immediately and consult the factory for assistance. The manufacturer is not liable for your failure to use the approved maintenance device and procedures that have been provided.

1. Any load must be removed from the lift prior to engaging the maintenance device. These devices are designed to support an unloaded lift only. Failure to remove the load from the lift prior to blocking could cause the failure of the maintenance device and allow the to fall unexpectedly. This can result in personal injury or death, or permanent to the maintenance device and/or the lift.

2. Raise the lift to its fully raised position. If you do not, the maintenance device may not be able to be placed properly in its designed blocking position.

3. Remove the maintenance device (item A Diag. 4) from its storage location and place it into the engaged position and secure with locking pin (item B Diag. 4).

4. Lower the lift until it makes complete contact with the maintenance device. Re-check to ensure that all provided devices are fully and securely engaged. If the device is not fully engaged the lift could fall unexpectedly, resulting in permanent damage to the device or the lift.

⚠ DANGER

If for any reason you are unable to lower the lift completely onto the maintenance device, stop immediately and consult the factory approved maintenance device could result in severe injury or death.

5. (For single-acting hydraulic, and pneumatic lift) once the maintenance device is properly and securely engaged, continue to press the down button, valve or switch for an additional 10-20 seconds to relieve all pressure in the operating system.

⚠ WARNING

Failure to relieve operating system pressure could result in the sudden and unexpected release of high-pressure fluids (or air) during maintenance and/or repair of the lift and result in severe injury or death.

6. Follow OSHA pneumatic lock-out/tagout procedures. Disconnect and tag all other power sources to prevent an unplanned or unexpected actuation of the lift.

7. Once inspection or work is complete, reverse the performance of the steps above to raise the lift off the maintenance device and place the device back into its designated storage position.

ROUTINE INSPECTION AND MAINTENANCE

All routine inspection and maintenance should be performed on a weekly basis for continual usage, semi-monthly for daily usage and monthly for intermittent usage.

CHECKS 1-6 MUST BE PERFORMED WITH MAINTENANCE DEVICE IN PLACE.

1. Check the pneumatic system for leaks with the lift unloaded and in it's fully raised position.
 - a) Check all fittings, lines, and components for escaping air.

- b) In addition to listening for an audible hissing, perform a soap solution bubble test. (Solution maybe purchased or made. By using dishwashing soap and water in a spray bottle. Spray fittings to detect leaking.)
- c) Repair any leaks immediately. Following all the precautionary procedures outlines in this manual.

2. Check air stroke actuator for any signs of wear, chafing, nicks, splits, etc. Replace as specified in section "Removal & Installation of Air stroke Actuator"(pg. 9)
3. Check rollers for signs of wear. Replace if damaged. Clear roller track of any debris. (See Diagram 3)
4. Check roller snap ring and washer. Replace if damaged. (See Diagram 3)
5. Tighten all nuts and bolts.
6. Bearings on all lifts are permanently lubricated and do not require servicing.

TROUBLESHOOTING

Unit does not rise:

- ↑ Check air supply, supply line valve open, lockout tagout valve reset.
- ↑ Check foot valve - lever pin in place.
- ↑ Check weight on lift, does it exceed the lift capacity? (See Diagram 8, nameplate)

Unit does not lower:

- ↑ Check foot valve – lever pin in place.
- ↑ Check for any obstruction in base roller track.

Unit raises slowly:

- ↑ Check air supply. Does it meet the minimum requirement of 80 psi at 15 CFM, free air?
- ↑ Over loaded lift. Check load weight, capacity rating of lift is on nameplate attached to the lift (See Diag. 8)

REMOVAL AND INSTALLATION OF AIR STROKE ACTUATOR

1. Install the maintenance device on the lift as specified on page 8. Be sure air supply is locked out, tagged out and purged.

2. Remove the stainless steel braided hose (14) and brass elbow (24) (See Diagram 6)
3. Remove the (4) 3/8-16 hex bolts (29) & washers (9). The actuator will collapse as the first two bolts are removed. (See Diagram 5)
4. Installation is the reverse of removal. Be sure to use a Teflon sealant on all pneumatic connections.

REMOVAL AND INSTALLATION OF TURNTABLE BEARINGS

1. Install the maintenance device lift as specified on page 8. Be sure air supply is locked out and purged.
2. Using an allen wrench with extension. Remove the (2) allen screws on the collar of the center flange bearing. (See Diagram 5)
3. Remove turntable raising in a straight up motion.
4. Remove and replace bearings (See Diag. 5, detail B)
5. Reinstall turntable and secure with the two allen set screws.

REMOVAL AND INSTALLATION OF ROLLER ASSEMBLIES (See Diag. 2, item 2)

1. Install maintenance device as specified on page 8. Be sure air supply is locked out and purged.
2. Remove turntable as specified in section “Removal and Installation of Turntable Bearings” (See page 10).
3. Remove the top (2) bolts from air actuator. The air actuator will collapse when the bolts are removed.
4. Grind the weld off top pivot pin (2 places) (See welding detail Diag. 2 item 2)
5. Remove pins and remove table by rotating 45 degrees and raising so as to disengage top rollers from captive portion of top assembly.

6. Remove and replace top roller assembly, washer and retaining ring. (See Diagram 3)
7. Raise and support leg assembly (mechanically using fork lift or hoist) exposing the lower rollers in a raised position.
8. Remove and replace lower roller assembly, washer and retaining ring. (See Diagram 3)
9. Reverse procedure in item 7 so lift is supported on maintenance device.
10. Reinstall top pins p/n 1044-025 (See diag. 2, item 2)
11. Weld pins in position per Diagram 2, item 2.



An AWS certified welder must do the welding. Sub-standard welds can cause failure and damage to equipment and possibly personal injury.

12. Bolt air actuator in place.
13. Reinstall turntable and secure with the two Allen set screws in center flange bearing.
14. Cycle the lift pneumatically and verify performance both empty and loaded as specified in “Testing With No Load” (pg. 4) and in “Operating Instructions” on page 5.

REMOVAL AND INSTALLATION OF FOOT CONTROL (See Diagram 6)

1. Be sure air supply is locked out, tagged out, purged and lift is in a fully lowered position.
2. Remove two (2) plugs (5), muffler (4), and elbow (6).
3. Disconnect hose (13) and supply line.
4. Remove two securing nuts/ bolts and remove valve from air guard.
5. Installation is the reverse of removal. Be sure to use Teflon sealant on pneumatic connections.

REMOVAL AND INSTALLATION OF PRESSURE RELIEF VALVE

(See Diagram 6, item 21)

1. Block the lift as specified in “Maintenance Device Installation & Removal” on page 8. Be sure the air supply is locked out and purged.
2. Remove valve (21).
3. Use only Presto supplied relief valves.
4. Installation is the reverse of removal. Be sure to use Teflon sealant on pneumatic connections.

OPTIONS

Spring Positioning (See Diagram 11)

Positioners are designed for holding the turntable in place, it is not designed to stop or brake a rotating load. The positioner is available with positioning in 90-degree increments. (See Presto Dealer for pricing and availability)

Portability Package (See Diagram 10)

This option is designed for relocating the lift (without a load) to multiple locations. It is not designed to move with a load. (See Diagram 9 & 10 service parts)



Attempting to move the lift with a load could cause structural damage to the lift as well as personal injury to the person attempting to move the lift.

Accordion Safety Skirt

This option is available for perimeter protection. It's designed to cover the scissor leg assembly. Order part number 1000-083-02.

DIAGRAM 1 - Pneumatic Schematic

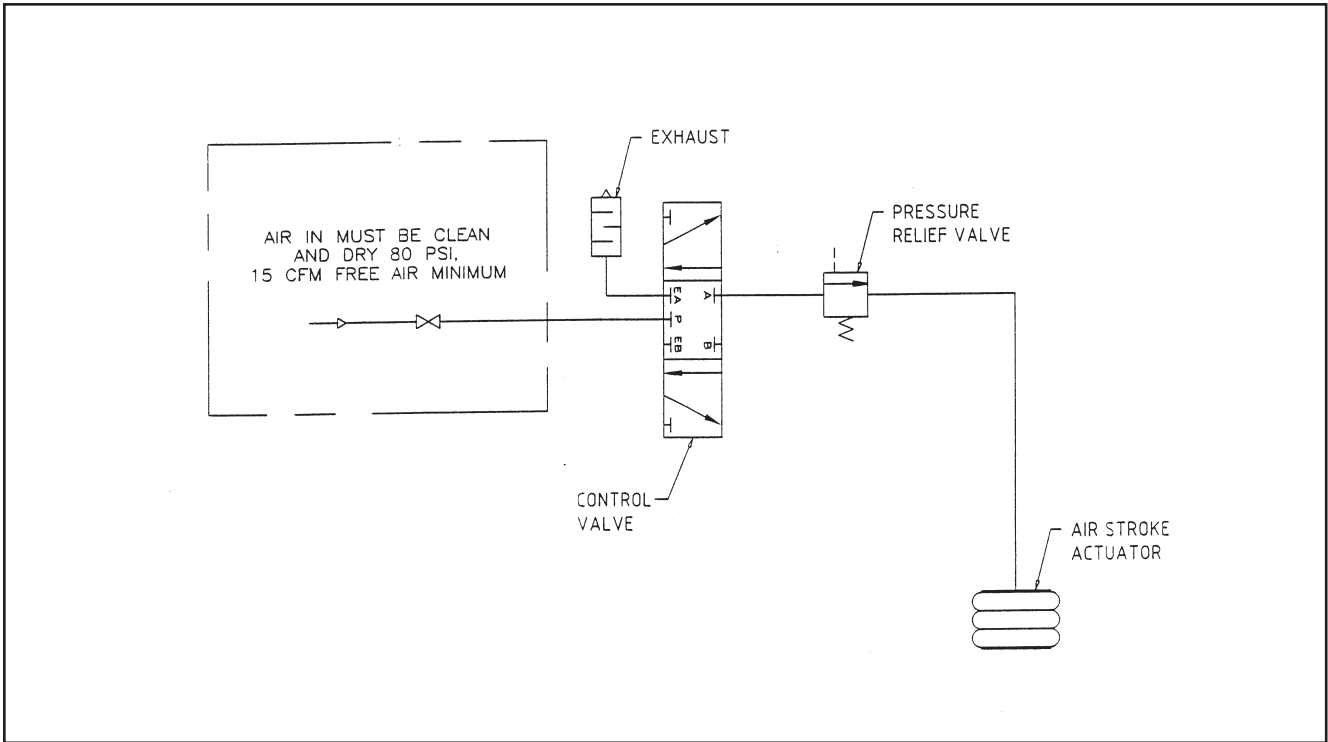


DIAGRAM 2 - Welding Detail

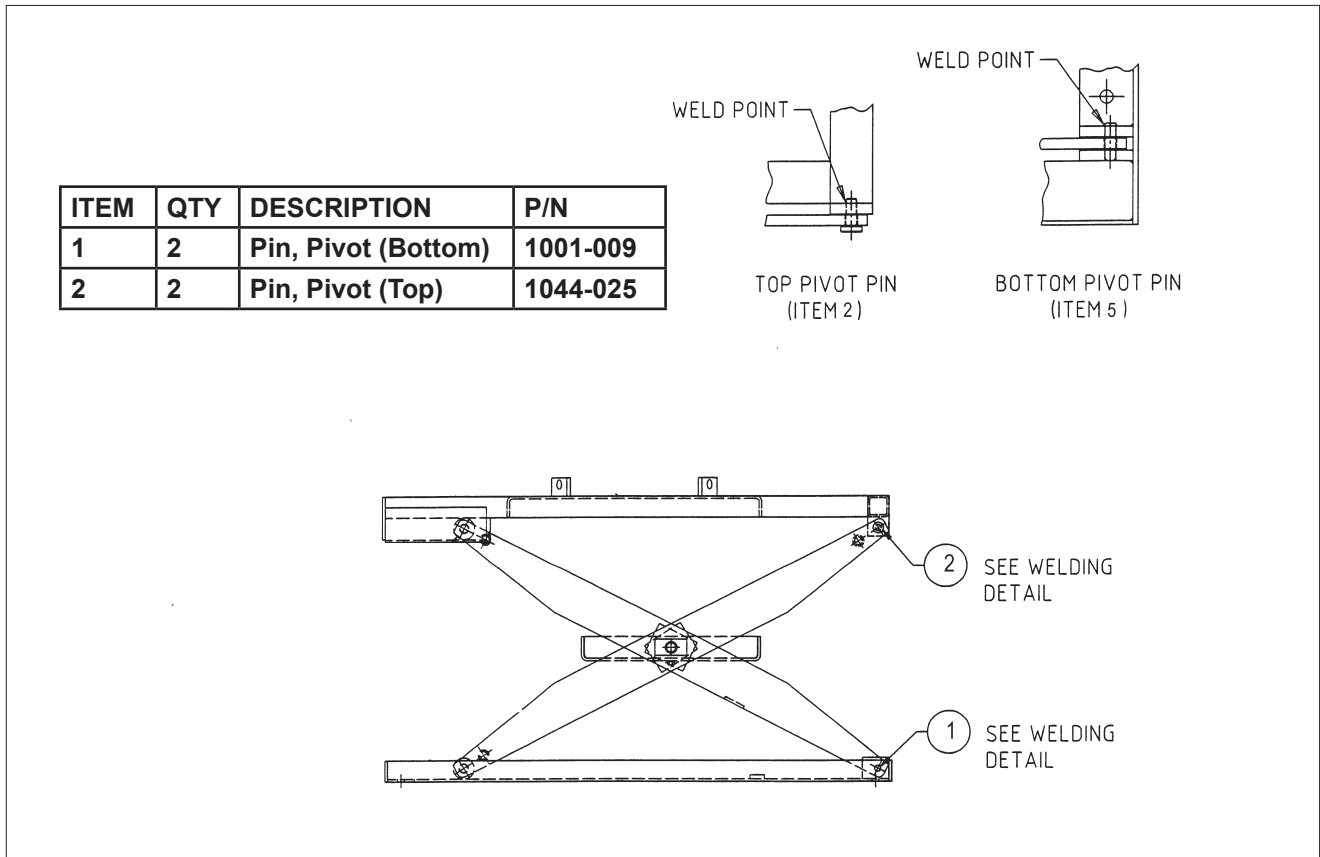


DIAGRAM 3 - Roller Assembly

ITEM	QTY	DESCRIPTION	P/N
1	4	Assy. Roller	100-177
2	4	Washer	N0338
3	4	Ring Retaining	PSL28D

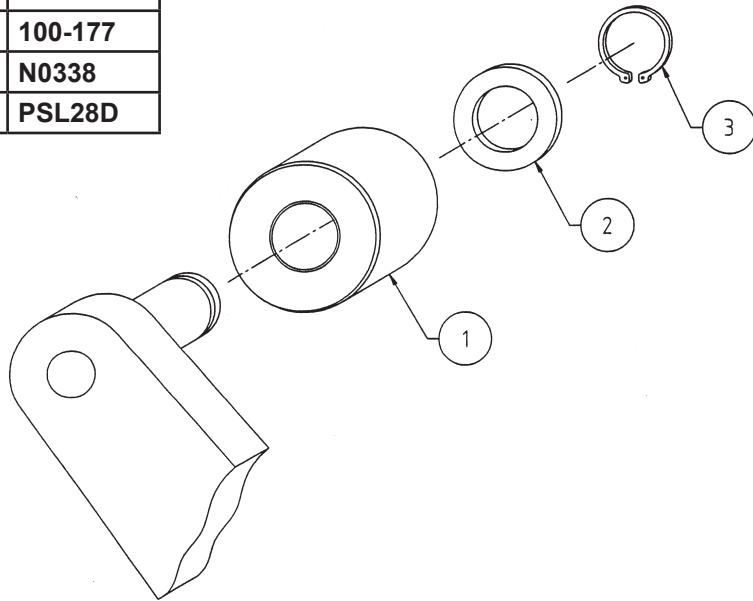


DIAGRAM 4 - Maintenance Device

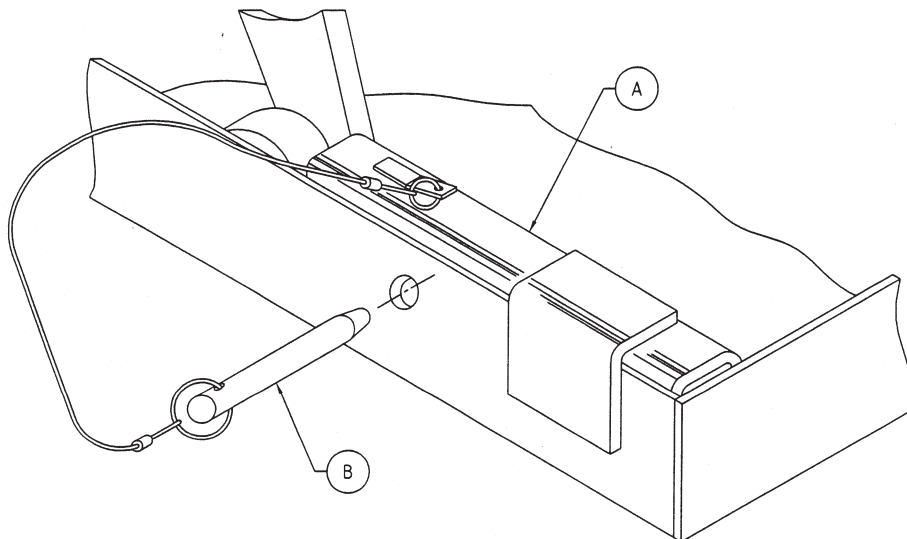


DIAGRAM 5 - Parts Identification

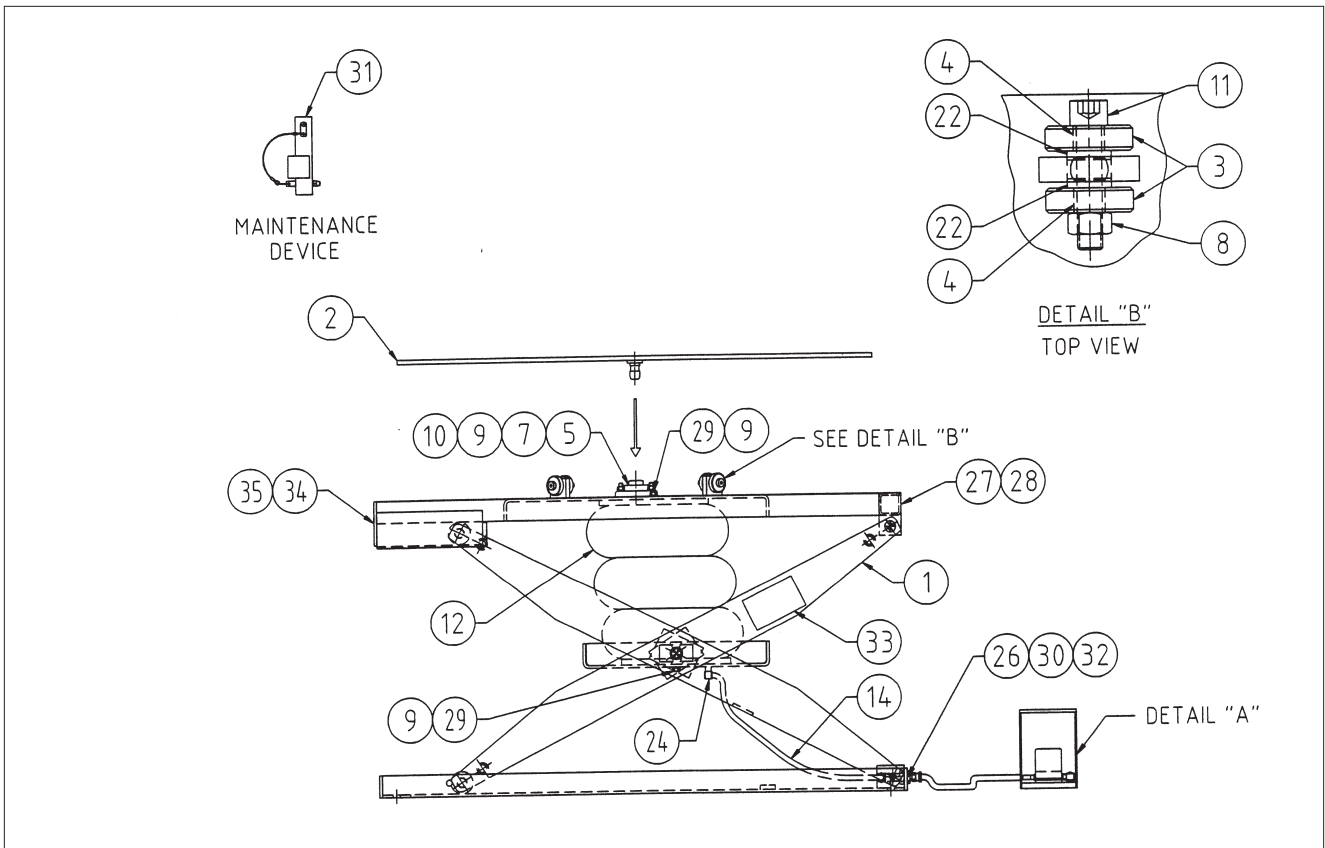


DIAGRAM 6 - Detail "A" Pneumatic Schematic (Top View)

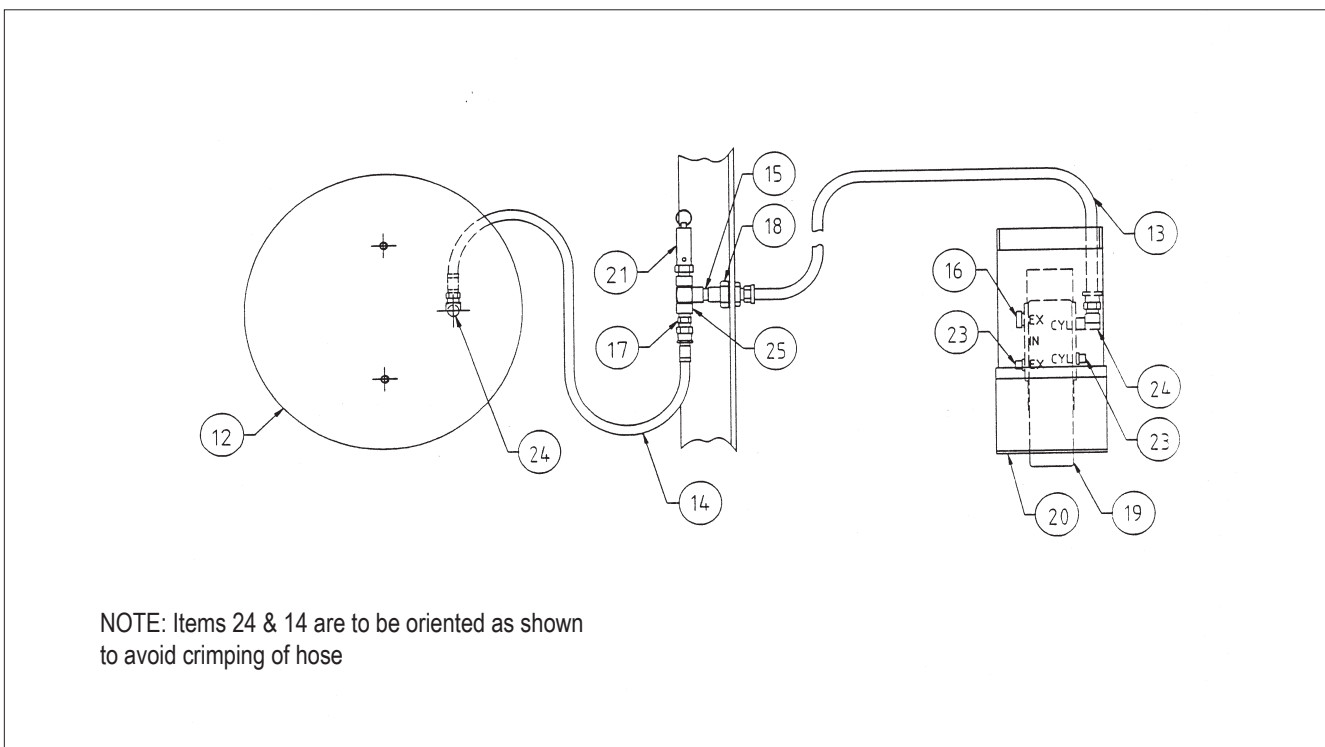


DIAGRAM 7 - Parts Identification

ITEM	QTY	DESCRIPTION	PART NUMBER
2	1	ASSY, TURNTABLE	1044-047
3	8	BEARING	2332177
4	8	BEARING, BRONZE	1015-065
5	1	BEARING, FLANGE	1015-086
7	4	NUT, HEX 3/8-16	N0100
8	4	NUT, HEX 1/2-13	N0160
9	8	WASHER, LOCK 3/8"	N0260
10	4	SCREW, FLT HD 3/8-16 X 1-1/2"	N0467
11	4	SCREW, SOC HD 1/2-13 X 2-1/2"	N0962
12	1	ACTUATOR, AIRSTROKE	1016-014-02
13	1	LINE, CONTROL - AIR	1016-026VR
14	1	ASSY, HOSE - SS BRAID	1016-079
15	1	NIPPLE, 1/4" X 1/4"	H104-04
16	1	MUFFLER, PNEUMATIC	1016-089
17	1	FITTING, ADAPTER	H103F
18	1	FITTING, BULKHEAD 1/4"	1016-092
19	1	VALVE, AIR - FOOT	1016-097-01
20	1	GUARD, AIR VALVE	1016-097-02
21	1	VALVE, RELIEF	1044-045
22	8	WASHER, LOCK 1/2"	N0280
23	2	PLUG 1/4"	N1210
24	2	ELBOW, STREET 1/4"	A411
25	1	TEE, FEMALE 1/4"	H103J
26	1	NAMEPLATE (S/N)	C165L
27	1	NAMEPLATE (CAPACITY)	C165B-30
28	1	DECAL (DANGER)	2998353
29	4	SCREW, HEX HD 3/8-16 X 1"	N0920
30	2	SCREW, DRIVE	N1300
31	1	DEVICE, MAINTENANCE	1028-103-01VR
32	1	DECAL (WARNING)	C200
33	2	DECAL (DANGER)	C190XLR
34	1	DECAL (PRESTO)	C183N
35	1	DECAL (MADE IN USA)	C190

LABEL AND NAMEPLATE LOCATIONS

NOTE:
CAPACITY OF LIFT IS BASED ON SUPPORTING THE LOAD ONLY. LIFTING CAPACITY WILL DEPEND ON AIR PRESSURE SUPPLY AND LIFTING HEIGHT REQUIRED.

⚠ DANGER
To avoid back injury, read all instructions before operating or servicing lift.

Do not put fingers or hands under top.

Do not work under lift without maintenance device.

Do not work under lift or side on lift.

P/N: C189XP3/6

PLACED ON BOTH ENDS

U.S. FLAG

Made in the U.S.A.

P/N: C190

3000 LBS. CAPACITY

P/N: C165B-30

PLACED ON BOTH ENDS

⚠ DANGER

- DO NOT WORK UNDER LIFT TABLE UNLESS LEGS ARE PROPERLY BLOCCED AND SECURED.
- DO NOT EXCEED LOAD CAPACITY.
- DO NOT PLACE LOAD ON MOVING LIFT.
- DO NOT USE LIFT ON SOFT, UNSTABLE, OR UNEVEN SURFACES.

PLACE LOAD ON CENTER OF TABLE.

P/N: C190XLR

PLACED ON BOTH OUTER LEGS

Presto

LIFTS

P/N: C183N



Presto

LIFTS

800-343-9322 www.prestolifts.com

MODEL NO.	CAP.	LBS.	L.C.
SERIAL NO.			

P/N: C165L

Presto

LIFTS

"HELP LINE"

FOR CUSTOMER SERVICE CALL 800-343-9322

P/N: C190H

WARNING

THIS BASE MUST BE ANCHORED TO THE FLOOR PER INSTALLATION MANUAL PRIOR TO OPERATING LIFT

P/N: C200

P/N: C200
PLACED ON BOTH ENDS

DIAGRAM 9 - Carrier Handle Assembly (Optional)

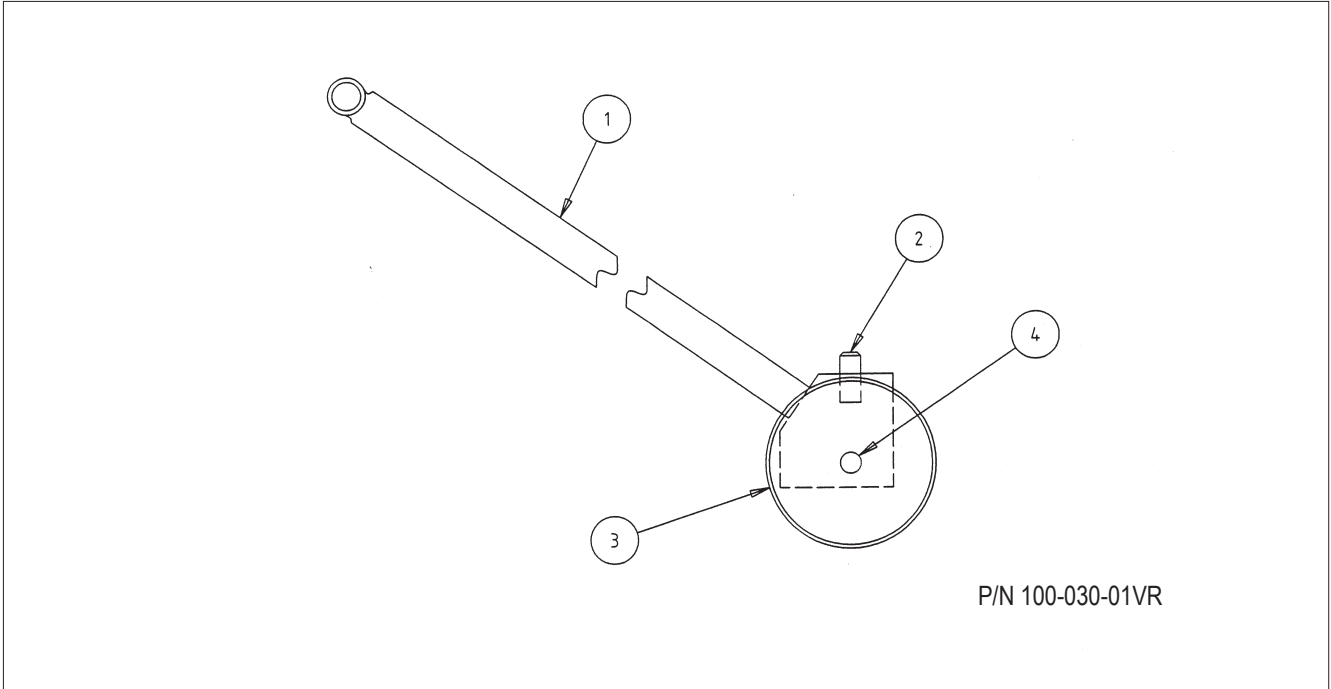


DIAGRAM 10 - Portable Base Assembly (Optional)

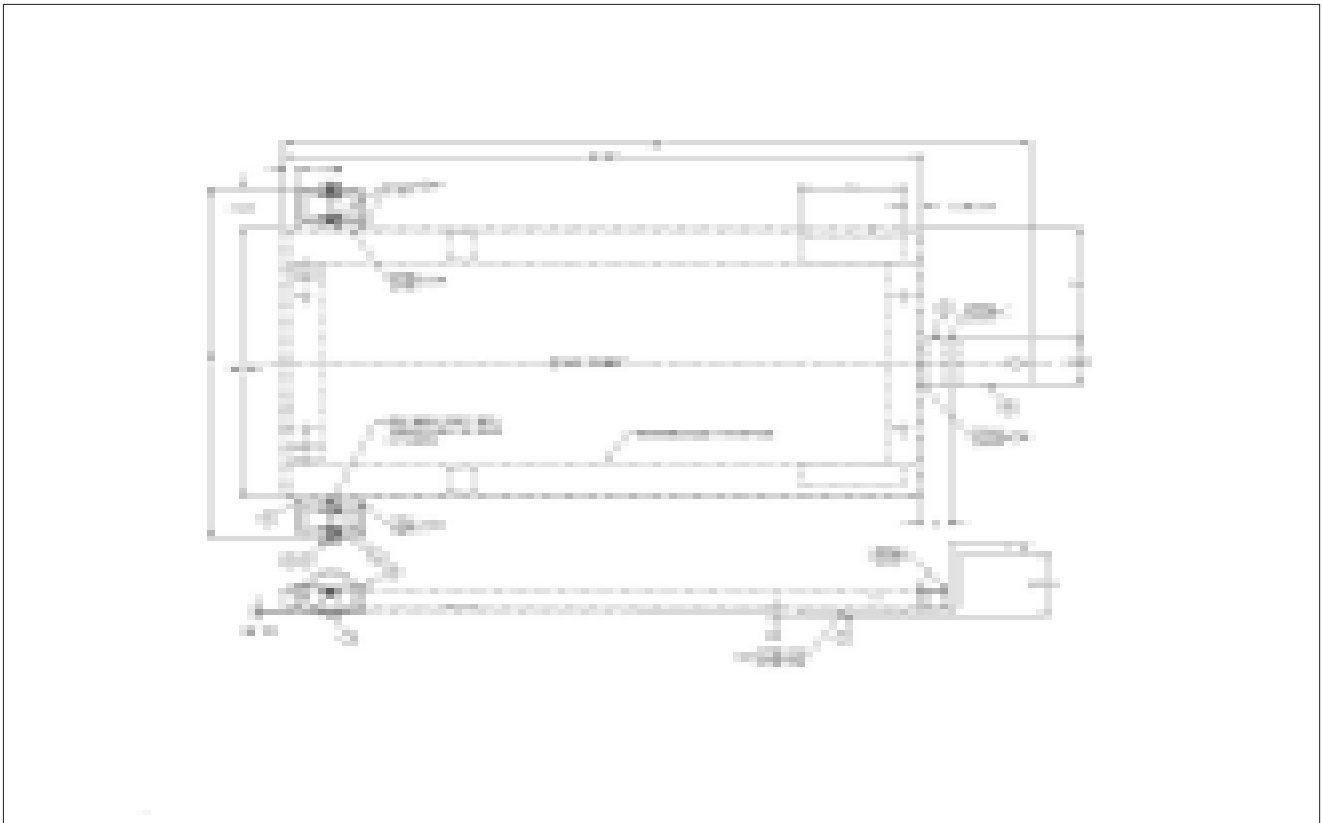


DIAGRAM 11 - Spring Positioner (Optional) P/N 1015-051VR

**OPTIONAL
SPRING POSITIONER
P/N: 1015-051**

ITEM	QTY	DESCRIPTION	PART NO.
1	1	ASSY, BASE PLATE	1015-048
2	1	ASSY, ARM	1015-050
3	1	SPRING	1015-059
4	2	BEARING	C114
5	1	SPACER	99100-4
6	1	SCREW, 3/8-16 x 1 1/2 HHCS	N0961
7	1	SCREW SET, 3/8-16 x 1 1/2	N0466
8	1	WASHER, LOCK 3/8	N0260
9	1	NUT, HEX NYLON INSERT 1/2-20	N0140-01
10	1	NUT, HEX 3/8-16	N0100

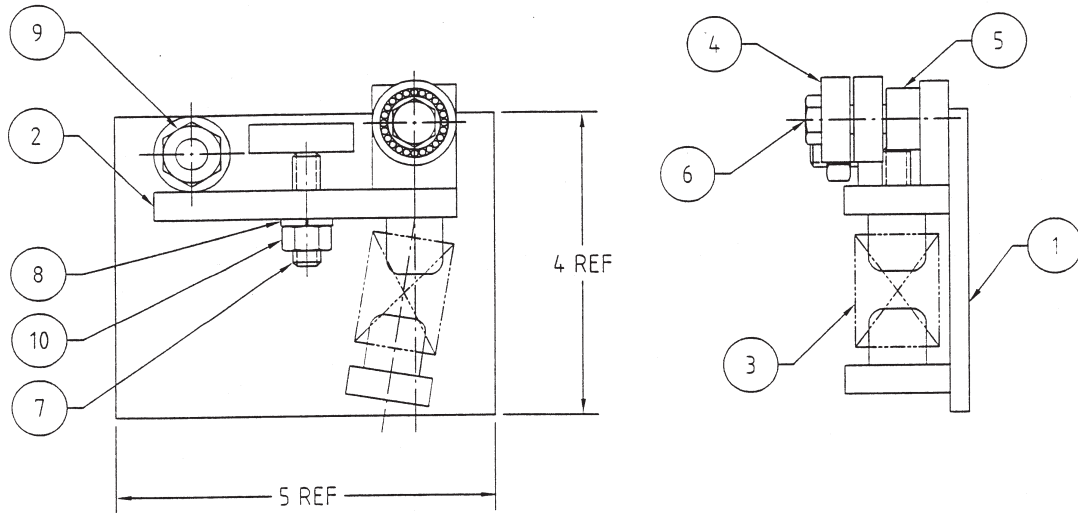


FIGURE 11

P1001-

ITEM	QTY	DESCRIPTION	PART NUMBER
1	1	ASSY, BASE PLATE	1015-048
2	1	ASSY, ARM	1015-050
3	1	SPRING	1015-059
4	2	BEARING	C114
5	1	SPACER	99100-4
6	1	SCREW, 3/8-16 X 1 1/2 HHCS	N0961
7	1	SCREW SET, 3/8-16 X 1 1/2	N0466
8	1	WASHER, LOCK 3/8	N0260
9	1	NUT, HEX NYLON INSERT 1/2 -20	N0140-01
10	1	NUT, HEX 3/8-16	N0100

Troubleshooting

Troubleshooting Check List		
<i>Problem</i>	<i>Possible Cause</i>	<i>Check This</i>
The top of the unit rotates from you.	The frame of the unit may not be level.	Move the unit to a level surface or away install the optional adjusting feet.
Excessive “rumble” when unit operates.	Wear or lack of lubrication to bearings under turntable.	Remove turntable, replace bearings.
Wear on underside of turntable.	Normal condition caused by wear-hardening of metal.	No repair necessary.

Ordering Replacement Parts

Presto Lifts has carefully chosen the components in your unit to be the best available for the purpose. Replacement parts should be identical to the original equipment. Presto Lifts will not be responsible for equipment failures resulting from the use of incorrect replacement parts or from unauthorized modifications to the unit.

Presto Lifts can supply all replacement parts for your lift. With your order, please include the model number and the serial number of the unit. You can find these numbers on the name plate. This plate is located on the base frame.

To order replacement parts, please call the Presto Parts Department. Parts are shipped subject to the following terms:

- FOB factory
- Returns only with the approval of our parts department.
- Credit cards preferred (except parts covered by warranty).
- Freight collect for truck (except parts covered by warranty).
- Freight – prepaid and invoice for small parcel shipments (except parts covered by warranty).

Parts replaced under warranty are on a “charge-credit” basis. We will invoice you when we ship the replacement part, then credit you when you return the worn or damaged part, and we verify that it is covered by our warranty. Labor is not covered under warranty for Parts orders.

Presto Parts Department

50 Commerce Way
Norton, MA 02766

Telephone: 800-343-9322

FAX: 888-788-6496

Email: service@PrestoLifts.com

www.PrestoLifts.com

PARTS

Standard parts may be returned with a 20% restocking fee. Modified or custom-engineered parts are not returnable. Unfortunately, due to potentially concealed damage, all sales of electrical assemblies are final.

QUALITY ISSUES

Should you feel there is a quality problem, please contact the seller to ask questions and gather information on how to rectify the issue. Presto Lift Inc. reserves the right to determine potential credits, as a result of factory defects, based on its inspection of the merchandise.

GENERAL

All products shipped from our factory have passed Quality Assurance inspection and testing. The carrier of choice has signed for, and accepted the product in new working condition. The customer should inspect to ensure it is not received damaged, has no concealed damage or is not incomplete. Parts orders are determined to be complete based upon Presto Lift, Inc. inspection sheets and carrier shipping weights.

RETURN GOODS AUTHORIZATION POLICY

Presto Lifts provides the Return Goods Authorization (RGA) Policy, for specific models, as a courtesy to our distributors in the event they do not receive what they ordered. If a customer wishes to return a Presto Lifts product, please contact the Customer Service Department and request an RGA number. This request must be made on or before the fifteenth calendar day following the date of Presto Lifts' invoice for the merchandise. Not all units are returnable. Quantity orders and special designs cannot be returned under any circumstances. Presto Customer Service reserves the right for final judgment on all product returns.

The RGA number must appear on the outside of any packaging material for a return to be accepted and processed by Presto Lifts. Customers shipping returns from the Continental US, Canada, or Mexico have thirty (30) days from date of RGA issue to have the product arrive at Presto Lifts' facility. All merchandise must arrive Free on Board at Presto Lifts' facility or the shipment will be refused and returned to the sender. All credits are issued less restocking and refurbishing charges, regardless if the merchandise was damaged in transit.

Return addresses: please refer to your RMA for the address to which your product should be returned.

Presto Lift Inc.
715 Highway 77
Manila, Arkansas 72442

Telephone: 800-343-9322
Fax: 888-788-6496

Presto Lifts Limited Warranty Policy

Presto Lifts warrants all of its products against defects in the welded structural frame and, if applicable, scissor legs from faulty material and workmanship for a period of five (5) years from the date of invoice.

A lifetime limited warranty is provided for the Airstroke Actuator™ in all pneumatic lifts against any defect due to faulty material or workmanship.

All other components have a limited warranty against defects in faulty material and workmanship for a two (2) year period from the date of invoice date of invoice and 30 day limited warranty on labor. Please note that prior authorization from Presto Lifts is required on all warranty work.

There are no implied warranties of any kind, more specifically, there are no warranties of merchantability or fitness for any particular purpose. Presto Lifts' sole warranty shall be as set forth in this limited warranty.

Presto Lifts will elect to repair or replace a defective component without charge, if any components should become defective within the limited warranty period. Proof of purchase is required for warranty. The charge for shipping the defective component is the responsibility of the buyer and must be accompanied with an RMA number. The shipping charge to return the component to the buyer is the responsibility of Presto Lifts, Inc.

This limited warranty does not cover labor expense for removal or reinstallation of components after thirty days. This limited warranty shall not cover, among other things: damages resulting from foreign matter or water, failure to provide reasonable and necessary maintenance or failure to follow operating instructions. The limited warranty is not valid for damage resulting from negligence, accident, unreasonable use, abuse or misuse, exceeding data plate capacities or altering the product without Presto Lifts authorization.

Presto Lifts expressly disclaims and excludes any liability for consequential, incidental, indirect or punitive damages or financial loss to people or property resulting from any breach of warranty or the operation or failure of this product.

Presto Lifts makes no representation that this product complies with local, state, or federal safety/product standards codes. Should this product fail to comply in any way with those codes, it shall not be considered a defect of materials or workmanship. Presto Lifts shall not be held liable for any damages resulting from noncompliance. It is the dealer's responsibility to exercise this limited warranty. This limited warranty is provided to the original purchaser (defined as the original end user) and is nontransferable. This constitutes the complete and final agreement involving Presto Lifts and limited warranty obligations for products.