

## Dunnage Racks -- 6000 Series

### APPLICATION:

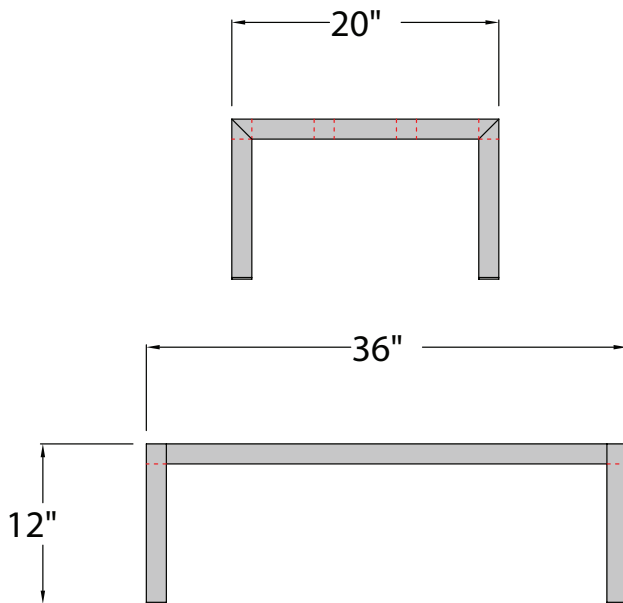
- All welded all aluminum design is great for keeping product organized and off the floor.

### MATERIAL:

- Framework is constructed of 1½" x 1½" x.070" wall tubing.
- The legs are sealed with plastic caps.

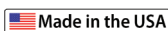
### GUARANTEE:

- One-Year Guarantee against material defects and workmanship.
- Lifetime Guarantee against rust and corrosion.



Model No.	# of Laterals	Weight Capacity	Size D-H-L	Ship Lbs.
6017	4	2000 lbs.	20" x 8" x 36"	8
6018	4	2000 lbs.	20" x 8" x 48"	10
6019	4	1500 lbs.	20" x 8" x 60"	13
6004	4	2000 lbs.	20" x 12" x 36"	9
6005	4	2000 lbs.	20" x 12" x 48"	11
6006	4	1500 lbs.	20" x 12" x 60"	14
6014	5	2000 lbs.	24" x 8" x 36"	9
6015	5	2000 lbs.	24" x 8" x 48"	11
6016	5	1500 lbs.	24" x 8" x 60"	14
6008	5	2000 lbs.	24" x 12" x 36"	10
6009	5	2000 lbs.	24" x 12" x 48"	12
6010	5	1500 lbs.	24" x 12" x 60"	15

*This information is for general sales and engineering use only. New Age Industrial reserves the right to modify or make changes at any time without notice to materials and specifications.*



Distributed by: Custom Equipment Company  
866-333-0728  
sales@custommhs.com  
www.custommhs.com