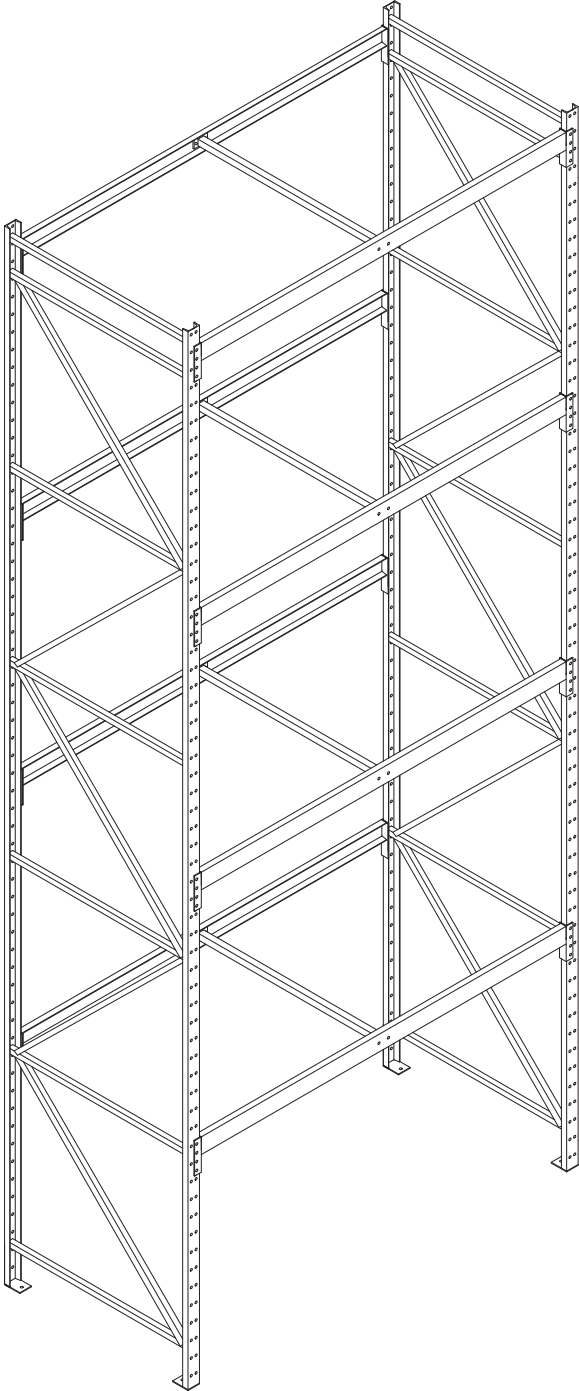




Instructions For Assembling MECO OMAHA SELECTIVE STRUCTURAL PALLET RACK



MODERN EQUIPMENT COMPANY

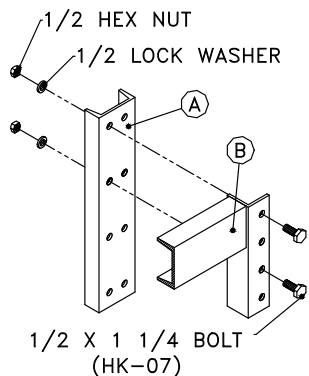
6161 ABBOTT DRIVE, OMAHA, NE 68110

www.meco-omaha.com

1-800-228-7334



**INSTRUCTIONS FOR ASSEMBLING MECO OMAHA
SELECTIVE STRUCTURAL PALLET RACKS**

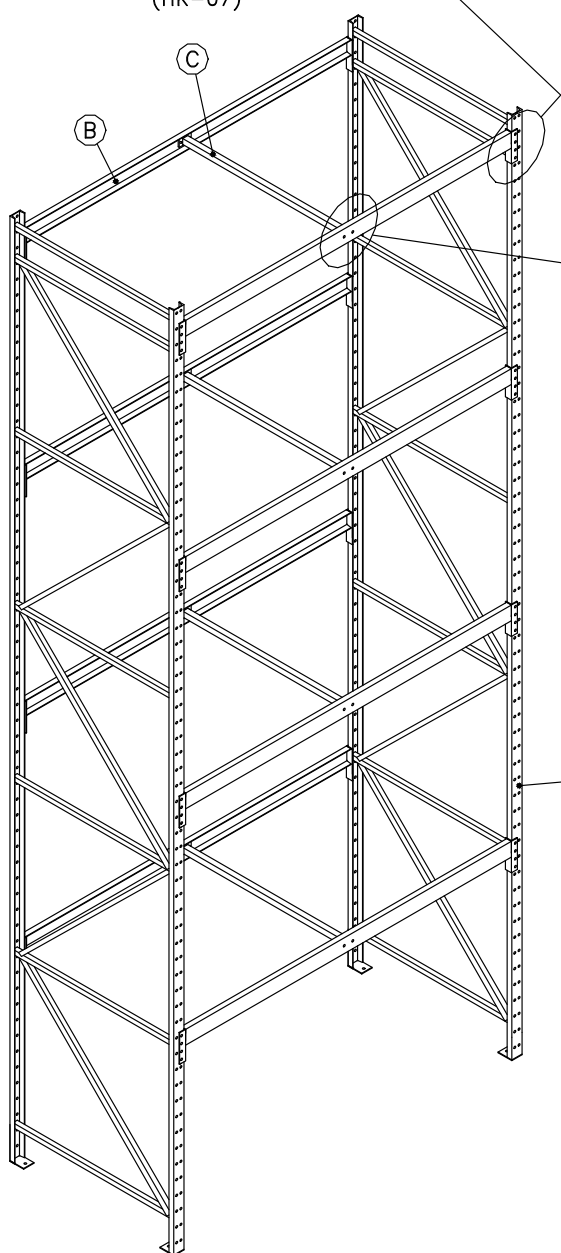
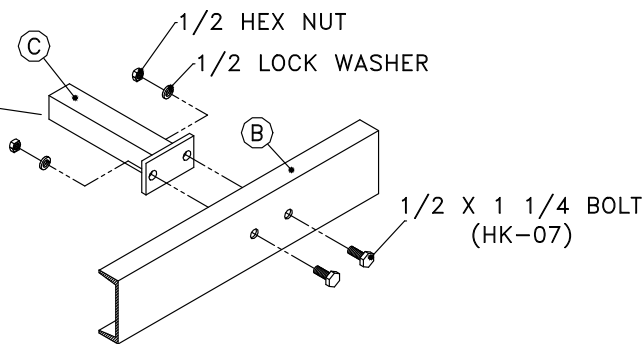


STEP 1:

STAND FRAMES (A) AT A DISTANCE APART THAT IS SLIGHTLY GREATER THAN THE LENGTH OF BEAMS THAT WILL BE ATTACHED. ATTACH THE FIRST BEAM (B) THAT IS POSITIONED AT THE HEIGHT OF THE FIRST STORAGE LEVEL. USE THE (2) 1/2 X 1 1/4 BOLTS, NUTS AND LOCK WASHERS PROVIDED, WITH THE NUT AND LOCK WASHER TO THE INSIDE OF THE FRAME AS SHOWN. ATTACH A SECOND BEAM DIRECTLY ACROSS FROM THE FIRST BEAM. FINGER TIGHTEN ONLY AT THIS TIME.

STEP 2:

IF BEAMS REQUIRE BEAM BRACES (C) ATTACH THESE AT THIS TIME USING THE (2) 1/2 X 1 1/4 BOLTS, NUTS AND LOCK WASHERS PROVIDED. WITH THE NUT AND LOCK WASHER TO THE INSIDE OF THE BEAM AS SHOWN.



STEP 3:

ASSEMBLE THE FIRST AND SECOND BAYS WITH THE BOLTS FINGER TIGHT ONLY. WITH THE FIRST BAY SQUARE AND PLUMB TIGHTEN ALL BOLTS TO 90 - 100 FT-LBS OF TORQUE. ASSEMBLE THE THIRD BAY FINGER TIGHT. THEN SQUARE, PLUMB AND TIGHTEN THE SECOND BAY. CONTINUE IN THIS MANNER FOR EACH SUCCEEDING BAY UNTIL THE ENTIRE RACK IS ASSEMBLED. VERTICAL BEAM SPACING MUST NOT EXCEED 60 INCHES.

STEP 4:

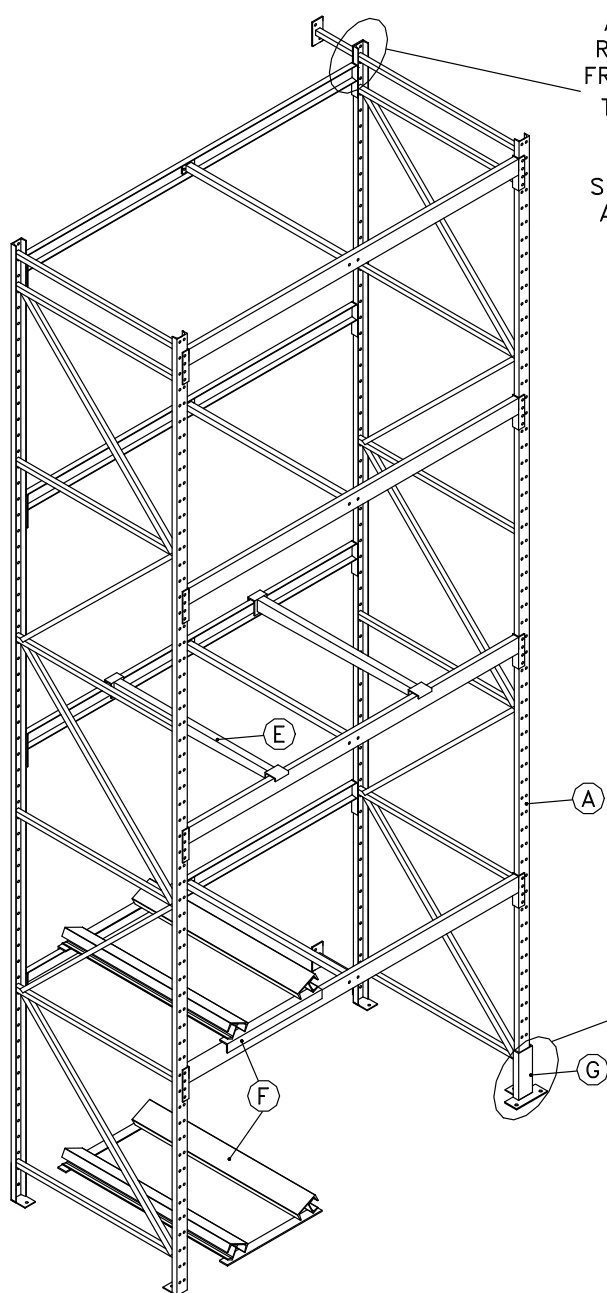
PALLET RACK MUST BE ANCHORED TO FLOOR WITH AN ANCHOR IN EACH FLOOR PAD. USE LOCAL BUILDING CODES TO DETERMINE PROPER ANCHORS TO USE FOR PALLET RACK INSTALLATION.



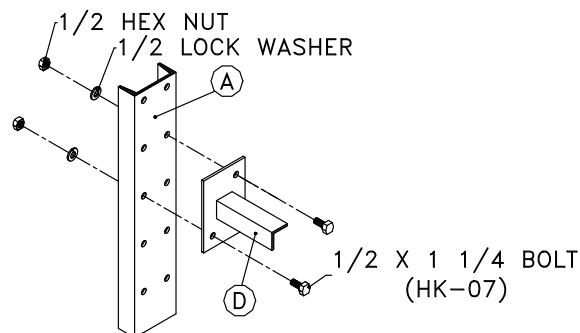
INSTRUCTIONS FOR ASSEMBLING MECO OMAHA SELECTIVE STRUCTURAL PALLET RACKS

PALLET RACK ACCESSORIES, SUCH AS CROSS SUPPORTS, ROW SPACERS, POST PROTECTORS, AND COIL CRADLES ARE OPTIONAL ENHANCEMENTS. DESIGNED TO IMPROVE STABILITY, SAFETY AND LOAD DISTRIBUTION. WHILE NOT ALWAYS REQUIRED, THEY CAN HELP OPTIMIZE STORAGE PROFICIENCY BASED ON SPECIFIC STORAGE NEEDS.

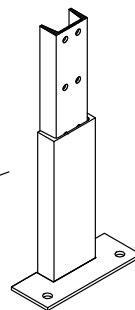
DROP-IN CROSS SUPPORTS (E) USED TO SUPPORT LOAD STABILITY AND REDUCE SAGGING. INSTALL AT LEAST TWO PER LOAD, PLACING THEM DIRECTLY ON TOP OF THE BEAMS AND SPACING THEM EVENLY FOR OPTIMAL SUPPORT.



ATTACH A ROW SPACER (D) BETWEEN ADJACENT ROWS OF RACK. LOCATE A ROW SPACER AS CLOSE TO THE LOWEST FRAME HORIZONTAL FROM THE FLOOR AS POSSIBLE. ATTACH TO THE FRAMES USING THE PROVIDED (2) $\frac{1}{2}$ X $1\frac{1}{4}$ BOLTS, NUTS, AND LOCK WASHERS. ATTACH A SECOND ROW SPACER AS CLOSE TO THE TOP FRAME HORIZONTAL, OR SECOND HORIZONTAL FROM THE TOP AS POSSIBLE. ATTACH ALL ROW SPACERS WITH THE NUT AND LOCK WASHER TO THE INSIDE OF THE FRAME AS SHOWN.



POST PROTECTORS (C) USED TO PREVENT DAMAGE AND IMPACT TO PALLET RACK FRAMES. ENCASE BOTTOM OF PALLET RACK FRAME WITH A POST PROTECTOR AND ANCHOR TO GROUND.

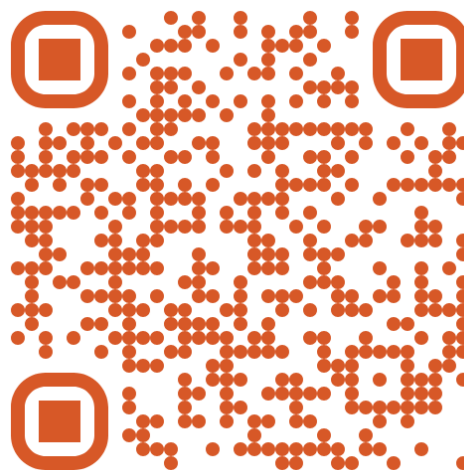


COIL CRADLES (F) PROVIDE OPTIONAL STORAGE FOR COILS AND DRUMS. STANDARD CRADLES LAY DIRECTLY ON TOP OF THE BEAMS, WHILE THE "-FL" FLOOR OPTIONS ARE ONLY TO BE PLACED ON THE FLOOR. IF MULTIPLE CRADLES ARE USED ON A SINGLE BEAM LEVEL, ENSURE THEY ARE EVENLY DISTRIBUTED.



Selective Structural Pallet Rack Installation

**Scan this QR Code
to access the
online digital copy.**



For More Information
Custom Equipment Company
sales@custommhs.com
866-333-0728
Full Website: <https://www.custommhs.com>