

EZ OFF LIFTER®

Pallet Truck Accessible Work Positioners

Bishamon®

The lowest floor level pallet positioners with rotating platforms for loading or unloading with a pallet truck!

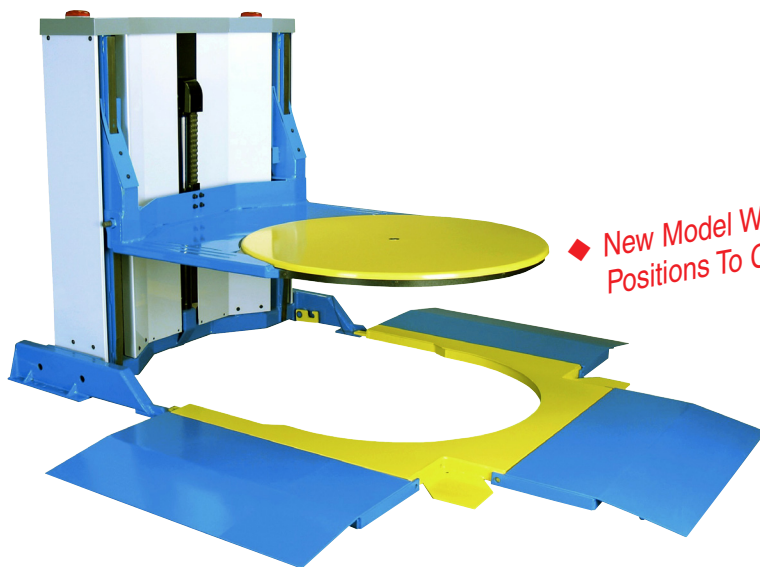


Bishamon EZ Off Lifter® pallet positioners are the ultimate solution for palletizing operations when loads are transported with a pallet truck. These revolutionary products provide the answer for maintaining the load at a convenient working height. They also provide easy pallet rotation and near side loading to eliminate excessive lifting, bending, and stretching. They are the most ergonomically advanced way to manually load or unload pallets in applications where the loaded pallets are transported with a pallet truck.

EZ Off Lifter pallet positioners improve productivity and worker safety. By bringing the load closer to the worker, they reduce the time required to manually load or unload a pallet. They also help improve safety and reduce worker fatigue.

EZ Off Lifters are electric hydraulic operation, providing infinite height adjustments between the upper and lower travel limits with a convenient push button control.

Like all Bishamon products, EZ Off Lifters are designed and manufactured to meet the toughest working conditions and safety standards in the world. They will provide years of trouble free operation.



◆ New Model With 3 Ramp Positions To Choose From

Model EZO-25E-3S with three ramp position choices. Shown with two optional and one standard ramp.

Bishamon

Bishamon Industries Corporation

Distributed By: Custom Equipment Company

866-333-0728 919-847-5765 fax

tom@custommhs.com

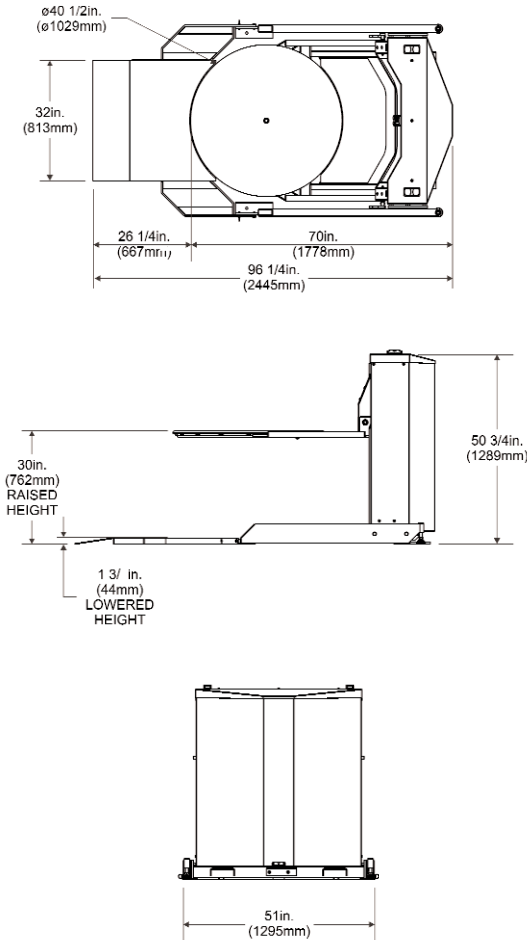
www.custommhs.com

EZ OFF LIFTER®

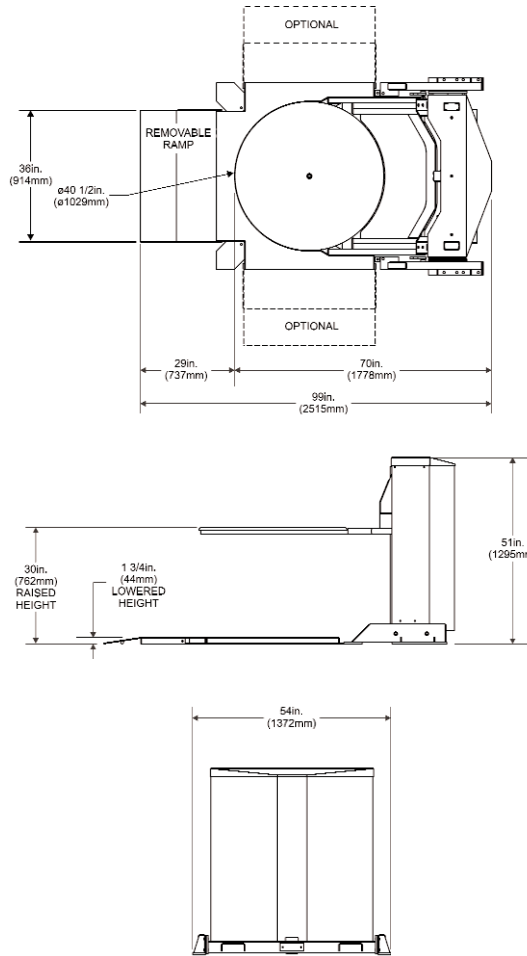
Pallet Truck Accessible Work Positioners

Working Harder To
Make Your Life Easier

EZO-25E



EZO-25E-3S



Standard Features:

- Feet-clear safety circuit automatically stops the platform descent at 9 in. above the floor surface preventing unintentional foot entrapment under the platform or pallet
- Safety warning lights and alarm alert operator before the platform lowers from the intermediate safety stop
- Platform safety covers guard pinch points around mast and mast rollers
- Chain cover guards pinch points around the upper chain wheel
- Hydraulic power unit with unitized control valves and reservoir
- 1 HP, 115 V, electric motor
- 40.50 in. diameter rotating disk supported by 32 precision ball bearings
- Automatic platform lock prevents platform rotation in the lowered position
- Integrated approach ramp
- Lifting tabs and platform catches for transporting with a forklift
- Rear leveling feet (Model EZO-25E)
- Model EZO-25E-3S provides three ramp position options and a pallet stop
- Durable powder coated finish

Selector Table for EZ Off Series									
Model	Operation	Voltage	Capacity (lbs)	Lowered Height (in)	Raised Height (in)	Maximum Pallet Size (in)	Ramp Positions	Installation	Shipping Weight
EZO-25E	Elec-Hydraulic	115V, 1PH	2500	1.75	30.00	44 x 48	1	Not Anchored	1350
EZO-25E-3S	Elec-Hydraulic	115V, 1PH	2500	1.75	30.00	44 x 48	3	Anchor To Floor	1350

* Floor anchors are optional for EZO-25E and are required for EZO-25E-3S.

DISTRIBUTED BY:



Bishamon Industries Corporation

Distributed By: Custom Equipment Company
 866-333-0728 919-847-5765 fax
 tom@custommhs.com www.custommhs.com